



Features

- Six Class 'B' Input circuits
- Two Class 'B' Output circuit (2.0Amps)
- Meets latest ULC S-527-2011 Standard
- Signal Silence
- Audible tones are DIP Switch selectable for Steady and Temporal Code
- Powerful 3 mA capacity per zone for 2-wire smoke detectors
- Common alarm Relay contact, Form C, 28 VDC @ 3 AMP (Resistive)
- Common trouble Relay contact, Form C, 28 VDC @ 3 Amp (Resistive)
- A.C. ON LED (Green)
- Zone Alarm LED (Amber)
- Signal Trouble LED (Amber)
- Ground Fault LED (Amber)
- Battery Fault LED (Amber)
- Alarm Silenced LED (Amber)
- Common Trouble LED & Silence button
- Remote Trouble Indicator output
- Selectable 1 minute Signal silence inhibit
- Extensive Transient Protection on all circuits
- White or Red exterior colours
- All circuits are power limited
- Fully regulated 24 VDC Auxiliary Power, 250mA maximum
- All configurations performed by DIP switch

Description

The Mircom FA-106 panel is designed for fire alarm systems in small commercial, institutional and industrial occupancies. A slim-line design and a white exterior colour offer unobtrusive appearance to compliment any exterior.

The FA-106 includes one circuit board providing all the essentials for a complete fire alarm system. Six Class 'B' Input circuits and two Class 'B' Output circuits (2.0 Amps, 1.25 maximum per circuit) are provided by the FA-106. The Output circuits are protected from shorts by self-restoring circuitry.

The FA-106 is equipped with supervision for ground fault detection, battery low level or open wire fault, Input and Output circuit wiring faults and loss of A.C. power. The initiating circuits are supervised for opens and ground faults. The FA-106 has LED indicators for Zone Alarm, Zone Trouble, A.C. On, Battery Fault, Ground Fault, Common Trouble, Signal Trouble and Signal Silences and buttons for Zone Disconnect/ Silence, Buzzer Silence and Reset.

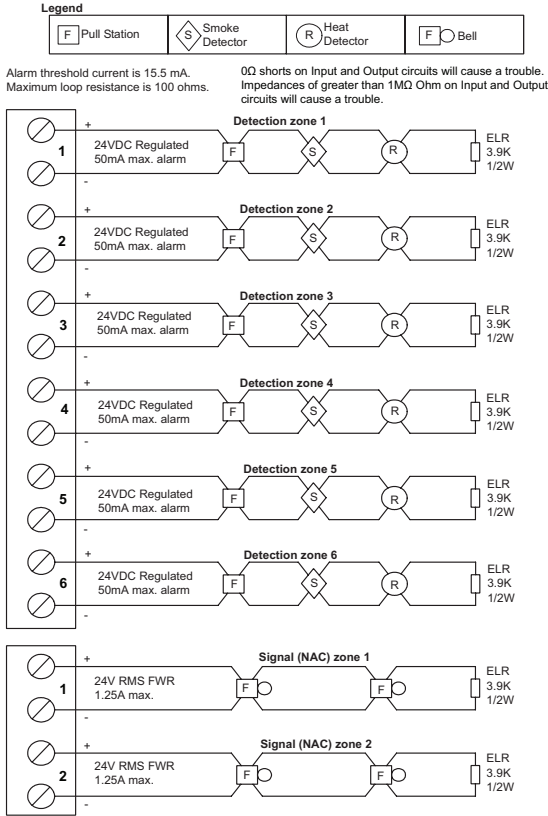
The FA-106 has selectable audible tones which can be configured via DIP for Steady and Temporal Code. The panel also includes a common alarm relay which is configurable (via DIP switch) to follow the signal circuit or lock on until the Alarm has been reset.

The cabinet is available in white or red colour and the Fire Retardant Lexan Window in the hinged door allows for viewing of the status LEDs. It comes with a durable CAT-30 lock and key. Space is provided for 5 to 7.0 AH batteries.

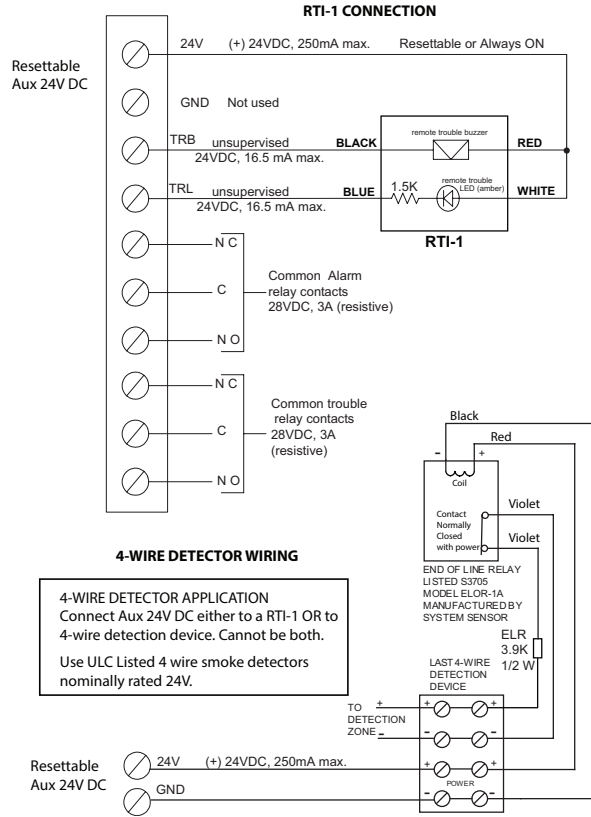


Wiring Diagrams

Input and Output Circuits Wiring Diagram



Alarm and trouble relay contacts Diagram



Technical Specifications

Input Circuits	Description
Output Voltage	24 VDC, fully regulated
Current Limited	50 mA
Supervisory Current	3 mA (up to 30, 2-wire smoke detectors @ 100 uA each)
Loop Resistance	100 ohms, max
End of Line Resistor	3.9Kohm ± 5%, 1/2W

Output Circuits	Description
Output Voltage	24 VDC (FWR)
Output Current	2.0A (1.25A max per circuit)
End of Line Resistor	3.9Kohm ±5%, 1/2W
Auxiliary Contacts	28 VDC, 3A (Resistive)
Auxiliary Power	250mA
Dimensions	13.7" (347mm) W x 12.7" (322mm) H x 2.8" (71mm) D

Ordering Information

Model	Description
FA-106	Six Zone Fire Alarm Unit, White Door
FA-106R	Six Zone Fire Alarm, Red Door
RTI-1	Remote Trouble indicator mounts onto a single gang electrical box
FA-102TR	Flush Trim Ring
BAT-12V5A	5AH Battery
BAT-12V7A	7AH Battery

NOT TO BE USED FOR INSTALLATION PURPOSES.



Canada
25 Interchange Way
Vaughan, Ontario L4K 5W3
Telephone: (905) 660-4655
Fax: (905) 660-4113

U.S.A.
4575 Witmer Industrial Estates
Niagara Falls, NY 14305
Toll Free: (888) 660-4655
Fax Toll Free: (888) 660-4113

Web page: <http://www.mircom.com> Email: mail@mircom.com

Distributed by:

ISO 9001:2008
REGISTERED



CAT. 5005
Rev.1